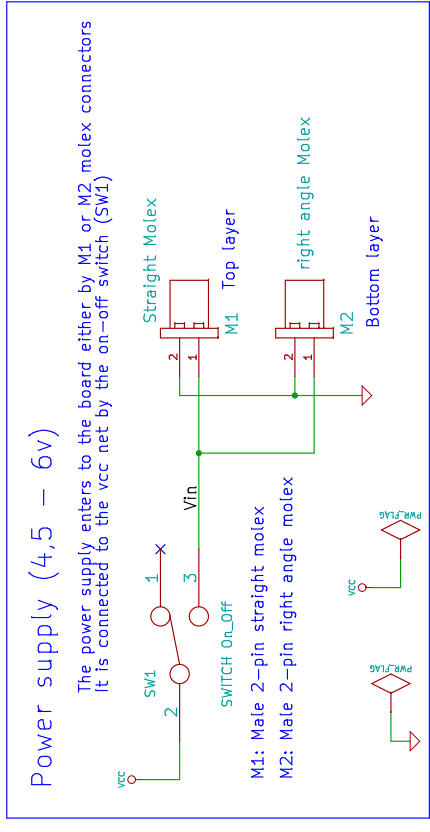
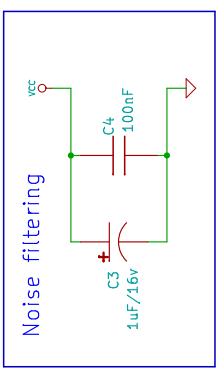
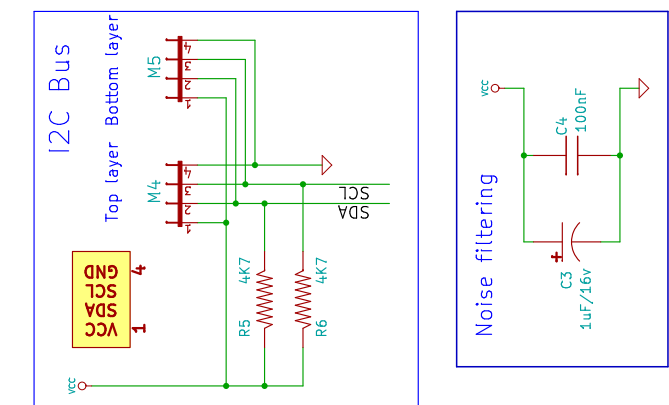
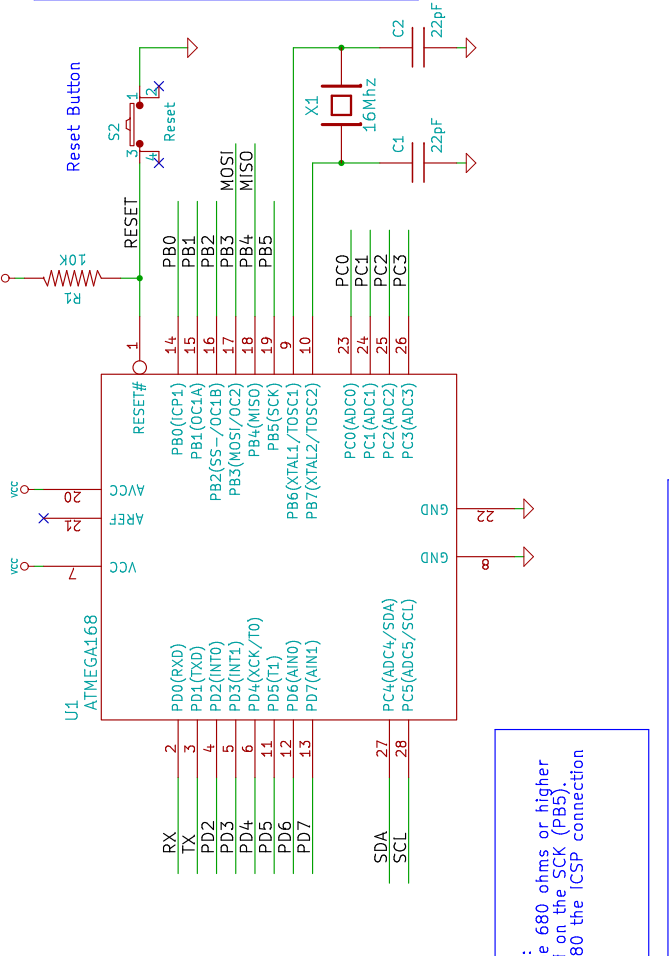
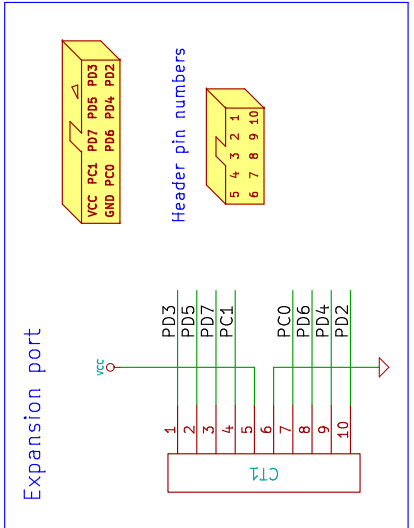
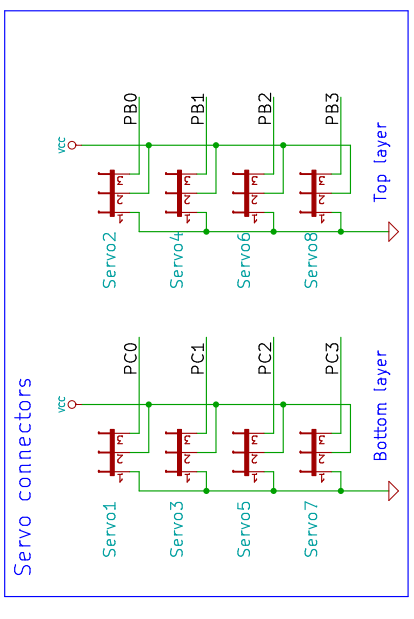
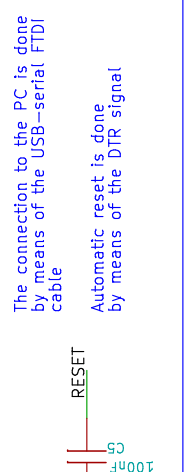
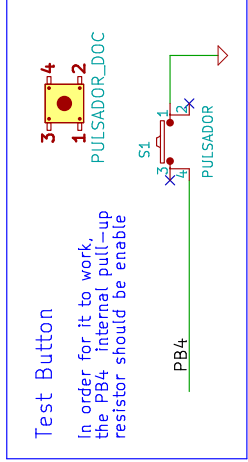


NOTE on the Test led:
 The resistor should be 680 ohms or higher
 This led is connected on the SCK (PB5).
 If R3 is less than 680 the ICSP connection will not work



Open Source Hardware. Definition 1.0
 Itziar Lima
 Andres Prieto-Moreno
 Juan Gonzalez-Gomez

File: skymega.sch
 Sheet: /

Title: Skymega board
 Size: A4 Date: 8 may 2011
 KICad E.D.A. eeschema (2011-04-05)-testing

Rev: 1.0
 Id: 1/1